

string²



livingw alls

LIVING WALLS

Ingenious
Futuristic
Surreal

CALL US WHAT YOU LIKE

'We are no ordinary modular walls. We are alive.

We inspire with dynamic colours, we warm you up or give you goose bumps. We change our appearance. We produce the most beautiful sounds. We arouse your imagination and stimulate achievements. Discover us. Hear us. Feel us.'

At Maars, our fascination with the wonderful influence the environment can have on a person continues to grow. More and more is becoming known about the stimulating effect of the spaces in which people spend their time. Can a hospital room contribute to faster recuperation? Can modular walls generate positivity or improve learning performances at schools? Maars wants to know and experience everything. As such, Maars Living Walls symbolises a wealth of opportunities which the modular walls offer to enable you to feel at one with your environment and get the best out of yourself. This is achieved by smartly integrating acoustics, air, light, sound, colour and images. The use of the latest technologies creates innovative concepts which create a living environment in which you become inspired, perform better and feel safe. For example, Maars has put together a colour pallet for care, the so-called Healing Colours, which have been proven to contribute to recovery. The Maars Living Walls interact with you and create exactly the environment you need. To do so, we look at colour, shape and use of materials, however unusual. Maars follows the latest trends and knows how to make it specifically applicable in its industry.

livingw alls



create

an advanced working space

**A system with
unlimited design
freedom**

String² is Maars' answer to the needs of ambitious architects and interior designers. The versatile possibilities of String² partition walls are as ingenious as they are challenging. The system is internationally recognised as the all-rounder among partition walls. Attractive applications that optimally combine the creative and structural possibilities of String² have been realised in many ambitious projects. The result: inspiring, attractive and efficient work and meeting areas.

**Functionality in
its finest form**

String² has set new standards for the functionality and applicability of partition walls. This is based on the extremely sturdy construction combined with an ingenious modular linking system. As a result, aesthetic wall designs are possible in both horizontal and vertical lines. They can be finished with barely visible 0 mm joints or given a subtle accent with shadow joints of 5 mm. High spaces are no problem either, and even stacking is possible with the String² system. You can achieve elegant aesthetics characterised by a sleek and smooth overall appearance, in all conceivable combinations of materials and elements. You are also assured, in each application, of very good performance in terms of fire resistance and soundproofing.

livingw
alls



versatility

choose the maximum

Discover the virtually unlimited possibilities

Maars developed the String² partition wall with two objectives in mind: maximum modularity and maximum integration capabilities. String² is also an ideal basis for creating a multifunctional Living Wall with integrated modules for light, air, sound, multimedia, climate control, cupboards, designer panels and furniture elements. Discover the many surprising options under the 'Living Options' button on www.maarslivingwalls.com or in the 'Living Options' brochure.

The steel wall elements are also suitable for the Maars Magnetics range, which consists of a wide selection of magnetic coat hooks, picture hooks, document holders, name plates and many other smart magnetic solutions. Visit www.maarsmagnetics.com for the entire range.

All elements of the String² wall can be quickly and easily connected thanks to the innovative Maars click system. This also offers unique flexibility for future adaptations. Each String² wall can be disassembled, adapted, moved and expanded quickly and easily.

There are virtually limitless possibilities to combine different materials and elements. Consider, for example, a wall clad with steel on one side and textile on the other. Or wood. Or other materials. This can be combined with various glazing options, such as double glazing in a monoblock system or single glazing in a bi-block system or flush system. Half-scale glazing, for instance, can be combined with a perforated steel rear wall or built-in flat screen for a surprising effect. Horizontal venetian blinds with a width of 25 mm can be integrated in the double glazing, both for manual and electric operation.

You can choose from a wide selection in the doors range, from functional to high-tech architectural design. Optionally, the doors are available in the exact thickness of the wall for an even sleeker and flush result. Maars can also help you select the right combination of doors and accessories. See our doors brochure for the complete doors range.

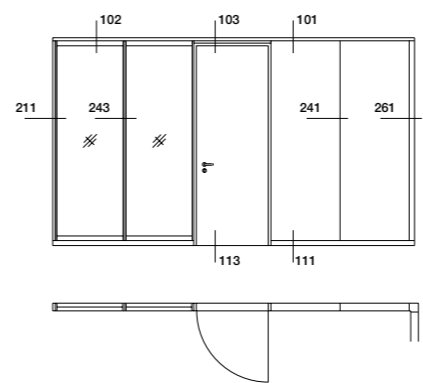
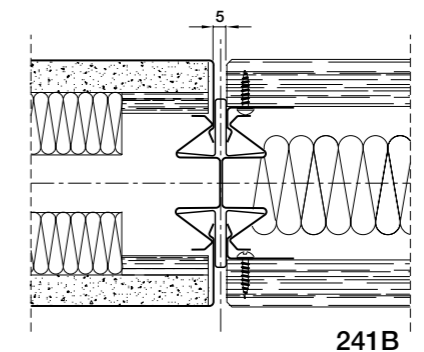
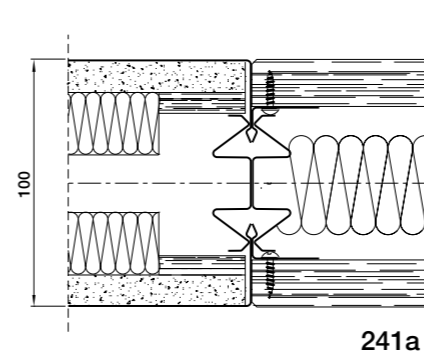
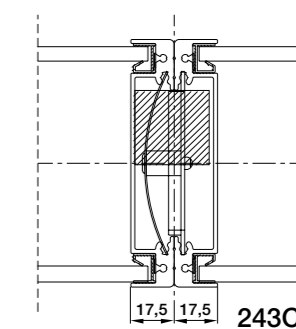
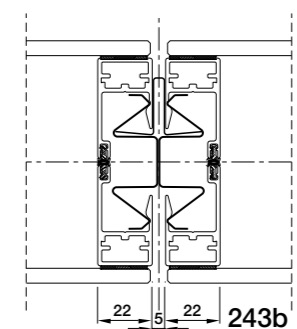
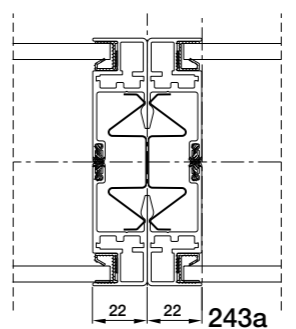
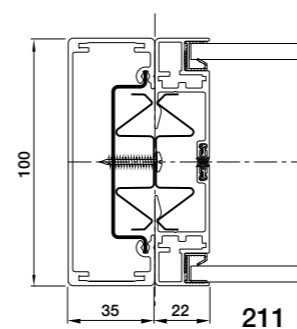
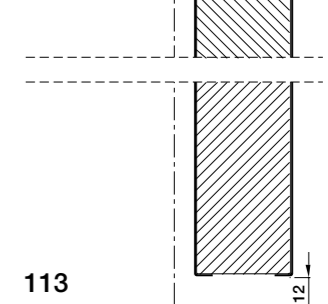
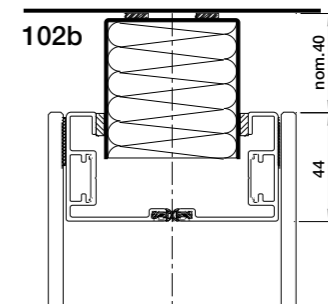
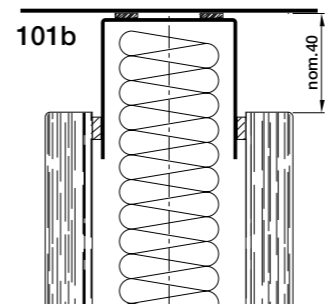
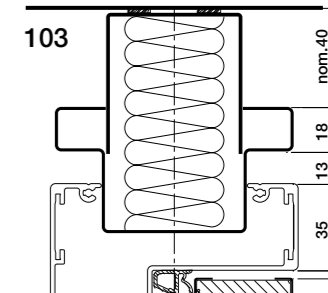
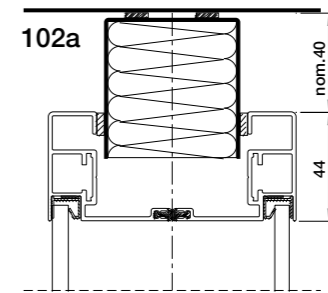
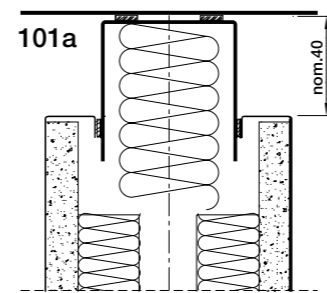
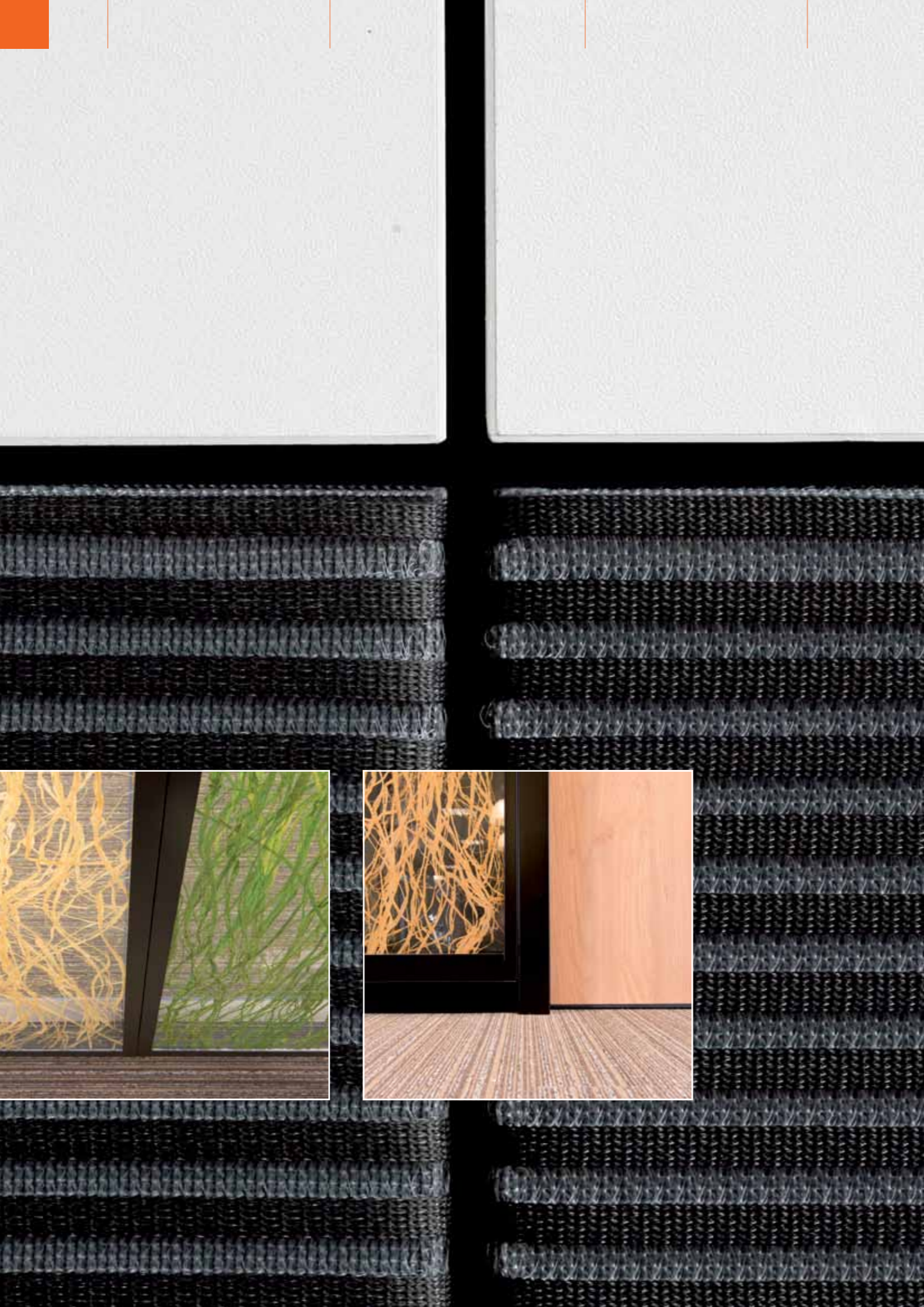
living
walls



combine
aesthetics with efficiency



perfection
of tomorrow
tion



Technical specifications

DESCRIPTION

Demountable steel and/or particleboard faced partition.

STRUCTURE

- **SOLID ELEMENTS:**
 - Thickness: 100 mm
 - Uprights/Studs: steel sections, 2 x 0,8 mm clinched clamping stud
 - Panels: Steel, galvanized, 0,8 mm on 12,5 mm plasterboard backing
 - 18 mm melamine finished particleboard panels
 - 18 mm veneer finished particleboard panels
 - Fabric covered steel or particleboard panels
 - Internal filling: mineral wool
 - Floor and ceiling U-channels: 1,5 mm galvanized steel sections
- **GLAZED ELEMENTS:**
 - Double glazed panels in 4, 6 or 8 mm thickness in monoblock or bi-block aluminium sections, with beading or flush glass
 - Integrated blinds possible
- **DOOR ELEMENTS:**
 - Doorframe: aluminium or steel frames provided with 3 hinges
 - Door leaves: Wide range of doors from 40 mm or 100 mm thick doors.
 - Check our doors range for further options

JOINTS

- 0 mm joint
- 5 mm shadow joint
- Combination of joints possible, both horizontally and vertically

FINISHES

- **SURFACE TREATMENT:** for all visible metal parts: environmental friendly epoxy powder coating approx. 80µ thickness.
- **COLOURS:** according to Maars colour chart. Other colours possible after consultation.
- **GLAZING:** a variety of options is available, such as sandblasting, film, painted glass. Other manifestations possible after consultation.

STANDARD DIMENSIONS

- Height: 3100 mm
- Width: solid panels 900/1200 mm, glass 900/1200 mm
Other sizes in height or width after consultation.
- Weight: 32/48 kg/m²

INSTALLATION

- **TOLERANCES:**
 - Floor: +/- 13 mm
 - Ceiling: +/- 13 mm
 - Adjustable floor track for easy adjusting of tolerances
- **CONNECTION:**
All elements are connected by using clamping studs, enabling easy installation and easy disassembly.
- **INTEGRATION OF ELECTRICAL AND DATA SERVICES**
Perforated clamping studs provide access for wiring and other services. Demountable panelling provides easy access for installation afterwards.

CLEANING

Please check our website for our cleaning and maintenance instructions.

LIVING OPTIONS

Maars offers a wide range of options which can be integrated in our partitioning systems, depending on the type of wall. Ventilation studs, sound panels, cupboards, shelving systems, climate control panels, dynamic lighting, multimedia, panels clad with textile, privacy glass and our wide range of Maars Magnetics. See: www.maarsmagnetics.com. Check the Living Options brochure and www.maarslivingwalls.com for more information.

ACOUSTICS

- Weighted sound reduction index to EN ISO 717-1
- Solid, steel: From Rw (C; Ctr)= 50 (-2 ; -6) dB
 - Solid, chipboard: From Rw (C; Ctr)= 41 (-2 ; -6) dB to Rw (C; Ctr)= 50 (-3 ; -8) dB
 - Glazed panels: From Rw (C; Ctr)= 41 (-2 ; -5) dB to Rw (C; Ctr)= 48 (-2 ; -6) dB
 - Door, solid: From Rw (C; Ctr)= 31 (-2 ; -2) dB to Rw (C; Ctr)= 37 (-1 ; -4) dB
 - Door, glazed: Rw (C; Ctr)= 39 (0 ; -2) dB

FIRE

- Fire resistance to EN 1363-2, EN 1364-1 and EN 1634-1. Equivalent to BS Standards.
- Solid: EI 120
 - Glazed: EI 60
 - Door: EI 60

Due to our policy of constant improvement our products are subject to change. Please check for the latest details: www.maarslivingwalls.com

Technische Daten

BESCHREIBUNG

Demontierbare, mit Stahl und/oder Spanplatten verkleidete Trennwand.

STRUKTUR

- **MASSIVE ELEMENTE:**
 - Stärke: 100 mm
 - Stützen/Ständer: Stahlprofile, 2 x 0,8 mm gestauchte Spannschraube
 - Oberflächen: Stahl, verzinkt, 0,8 mm auf 12,5 mm Rückwand aus Gipskarton
 - 18 mm melaminbeschichtete Spanplattenpaneele
 - 18 mm furnierbeschichtete Spanplattenpaneele
 - Stoffbezogene Stahl- oder Spanplattenpaneele
 - Innerer Füllstoff: Mineralwolle
 - Boden- und Decken- U-Profile: 1,5 mm verzinkte Stahlprofile
- **VERGLASTE ELEMENTE:**
 - Doppelverglaste Paneele in 4, 6 oder 8 mm Stärke in Monoblock oder Biblock-Aluminiumprofilen mit flush Glas
 - Integrierte Jalousien möglich
- **TÜRELEMENTE:**
 - Türrahmen: Aluminium oder Stahl, Rahmen mit 3 Bändern
 - Türblätter: Breites Sortiment Türen, von 40 mm bis 100 mm.
 - Weitere Optionen finden Sie in unserem Türenprogramm

FUGEN

- Nullfuge
- 5 mm-Schattenfuge
- Kombination von Fugen möglich, sowohl horizontal als auch vertikal

FINISHES

- **OBERFLÄCHENBEHANDLUNG:** Bei allen sichtbaren Metallteilen: Umweltfreundliche Epoxidpulverbeschichtung, etwa 80 µ Dicke.
- **FARBEN:** Nach der Maars Farbtafel. Weitere Farben nach Absprache.
- **VERGLASUNG:** Eine Vielzahl von Optionen steht zur Auswahl, zum Beispiel Sandstrahlen, Folie, lackiertes Glas. Weitere Gestaltungsformen nach Absprache.

STANDARD ABMESSUNGEN

- Höhe: 3100 mm
- Breite: Massive Elemente 900/1200 mm, Verglaste Elementen 900/1200 mm
Andere Größen in Höhe oder Breite nach Rücksprache.
- Gewicht: 32/48 kg/m²

INSTALLATION

- **TOLERANZEN:**
 - Boden: +/- 13 mm
 - Decke: +/- 13 mm
 - Verstellbare Bodenschiene zur einfachen Adaption von Toleranzen
- **VERBINDUNG:**
Alle Elemente werden durch Spannschrauben verbunden. Dies ermöglicht eine einfache Installation und den späteren problemlosen Zugang.
- **INTEGRIERTE STROMVERSORGUNG UND DATEN-ÜBERTRAGUNG**
In die Perforierte Stützen kann man die Verkabelung aufnehmen und das ist leicht ausführbar weil wir demontable Paneele verwenden.

REINIGUNG

Für Reinigungs- und Pflegehinweise ziehen Sie bitte unsere Website zu Rate.

LIVING OPTIONS

Maars bietet eine Vielzahl von Optionen, die je nach Wandtyp in unsere Trennwandsysteme integrierbar sind. Lüftungsstege, Schallschutzpaneele, Schränke, Regalsysteme, Klimatisierungspaneele, dynamische Beleuchtung, Multimedia, mit Textilien verkleidete Paneele, Privacy-Glas und unser umfangreiches Maars Magnetics Programm. Siehe unter: www.maarsmagnetics.com. Weitere Informationen in der Living Options-Broschüre und unter www.maarslivingwalls.com.

AKUSTIK

- Bewertetes Schalldämmmaß nach DIN EN ISO 717-1
- Vollwand, Stahl: Ab Rw (C; Ctr)= 50 (-2 ; -6) dB
 - Vollwand, Spanplatte: Ab Rw (C; Ctr)= 41 (-2 ; -6) dB bis Rw (C; Ctr)= 50 (-3 ; -8) dB
 - Verglaste Paneele: Ab Rw (C; Ctr)= 41 (-2 ; -5) dB bis Rw (C; Ctr)= 48 (-2 ; -6) dB
 - Tür, Voll: Ab Rw (C; Ctr)= 31 (-2 ; -2) dB bis Rw (C; Ctr)= 37 (-1 ; -4) dB
 - Tür, verglast: Rw (C; Ctr)= 39 (0 ; -2) dB

FEUERWIDERSTAND

- Feuerwiderstand nach DIN EN 1363-2, DIN EN 1364-1 und DIN EN 1634-1.
- Vollwand: EI 120
 - Verglast: EI 60
 - Tür: EI 60

Wir streben nach kontinuierlicher Verbesserung unserer Produkte. Daher können diese Veränderungen unterliegen. Die aktuellsten Details finden Sie unter: www.maarslivingwalls.com

Spécifications techniques

DESCRIPTION

Partitionnement démontable avec face agglomérée et/ou en acier.

STRUCTURE

- **ÉLÉMENTS BI-BLOCK :**
 - Épaisseur: 100 mm
 - Montants / Supports : sections en acier, 2 x 0,8 mm crampon de serrage
 - Panneaux en acier galvanisé, 0,8 mm, collée sur une plaque de plâtre de 12,5 mm
 - Panneaux agglomérés 18 mm avec finition mélamine
 - Panneaux agglomérés 18 mm avec finition laminée
 - Panneaux en acier recouverts de tissu ou panneaux agglomérés
 - Rembourrage intérieur: laine minérale
 - Passages sol et plafond en U forme: sections acier galvanisé de 1,5 mm

- **ÉLÉMENTS VITRÉS:**

- Panneaux simple ou double vitrage d'une épaisseur de 4, 6 ou 8 mm dans les sections bi-bloc en aluminium avec rainures ou montage lisse
- Possibilité d'intégration de stores dans les éléments vitrés

- **ÉLÉMENTS DE PORTE:**

- Châssis: châssis en aluminium ou en acier avec 3 charnières
- Modèles de portes: Choix allant de portes de 40 mm ou 100 mm recouvertes avec des feuilles en acier aux portes avec double vitrage. Découvrez notre programme de portes pour voir les autres possibilités

JOINTS

Jointure 0 mm ou 5 mm.

Possibilité de combinaison de joints, aussi bien horizontalement que verticalement.

FINITIONS

- **TRAITEMENT DE LA SURFACE:** pour toutes les parties métalliques visibles: couche de poudre epoxy, épaisseur +/- 80µ.

- **COULEURS:** en fonction du nuancier de Maars. Toutes autres couleurs sur consultation.

- **VITRAGE:** une variété d'options est disponible, par exemple le pistolage au sable, une pellicule, des vitres peintes. Toutes autres variantes sur consultation.

STANDARD DIMENSIONS

- Hauteur: 3100 mm
- Largeur: panneaux solides 900/1200 mm, éléments vitrés 900/1200 mm. Autre dimensions in hauteur ou largeur sur consultation.
- Poids: 32/48 kg/m²

INSTALLATION

- **TOLÉRANCES:**
 - Sol: +/- 13 mm
 - Plafond: +/- 13 mm
 - Chenille au sol réglable pour une adaptation aisée des tolérances

- **CONNEXION:**

Tous les éléments sont reliés au moyen de tenons et montant de serrage permettant une installation simple et un accès aisé après l'installation.

- **INTÉGRATION DE SERVICES ÉLECTRIQUES ET DE DONNÉES**

Les serrages perforés permettent le passage de câbles et autres. Les panneaux offrent un accès aisé lors d'installations ultérieures.

ENTRETIEN

Prenez connaissance de notre site internet pour l'entretien et la maintenance.

LIVING OPTIONS

Maars offre une gamme d'options qui peuvent être intégrées dans nos systèmes de compartimentage, en fonction du type de mur. Des tenons de ventilation, des panneaux d'insonorisation, des placards, des systèmes d'étagères, des tableaux de contrôle de la climatisation, un éclairage dynamique, multimedia, des panneaux recouverts de tissu, des vitrages fermés, et notre gamme de Maars magnétiques. Allez sur le site: www.maarsmagnetics.com.

Découvrez la brochure Living Options sur le site www.maarslivingwalls.com

ACOUSTIQUE

Indice pour l'évaluation de la réduction sonore selon les normes EN ISO 717-1

- Plein acier: De Rw (C; Ctr)= 50 (-2 ; -6) dB
- Plein aggloméré: De Rw (C; Ctr)= 41 (-2 ; -6) dB à Rw (C; Ctr)= 50 (-3 ; -8) dB
- Panneaux vitrés: De Rw (C; Ctr)= 41 (-2 ; -5) dB à Rw (C; Ctr)= 48 (-2 ; -6) dB
- Porte plein: De Rw (C; Ctr)= 31 (-2 ; -2) dB à Rw (C; Ctr)= 37 (-1 ; -4) dB
- Porte vitrée: Rw (C; Ctr)= 39 (0 ; -2) dB

FEU

Résistance au feu selon EN 1363-2, EN 1364-1 et EN 1634-1. Équivalent aux normes BS.

- Plein: EI 120
- Vitrage: EI 120
- Porte: EI 120

Notre politique vise à améliorer sans cesse nos produits, ils sont susceptibles de changer.

Pour les tous derniers détails, veuillez consulter le site: www.maarslivingwalls.com

Technische specificaties

OMSCHRIJVING

Demonteerbare systeemwand met stalen en/of spaanplaat panelen.

CONSTRUCTIE

- **GESLOTEN ELEMENTEN:**
 - Wanddikte: 100 mm
 - Stijlen: 2 x 0,8 mm dikke geklonken klemstijl
 - Panelen: staal, gegalvaniseerd, 0,8 mm dik op een 12,5 mm dikke gipsplaat
 - 18 mm spaanplaten v.v. een melamine of kunststof toplaag
 - Met stof beklede stalen panelen
 - Vulling: steenwol
 - U-profielen op de vloer en het plafond: 1,5 mm dikke gegalvaniseerd stalen delen

- **BEGLAASDE ELEMENTEN:**

- Elementen met dubbel glas van 4, 6 of 8 mm dik in monoblock, bi-bloc of bi-block flush aluminium delen
- Optioneel: geïntegreerde jaloezieën

- **DEURELEMENTEN:**

- Deurkozijn: aluminium of staal v.v. 3 scharnieren
- Deuren: breed assortiment van 40 mm of 100 mm dikke deuren. Bekijk ons deurenprogramma voor de mogelijkheden

VERBINDINGEN

0 mm of 5 mm voeg.

Combinatie van verschillende verbindingen mogelijk, zowel horizontaal als verticaal.

AFWERKING

- **OPPERVLAKTEBEHANDELING:** voor alle zichtbare metalen delen: milieuvriendelijke epoxy poedercoating, ca. 80µ dik.

- **KLEUREN:** op basis van de Maars kleurenkaart. Andere kleuren in overleg.

- **BEGLAZING:** meerdere opties mogelijk, zoals zandstralen, gecoat of met folie. Andere vormen in overleg.

STANDAARD AFMETINGEN

- Hoogte: 3100 mm
- Breedte: gesloten panelen 900/1200 mm, glas 900/1200 mm
- Afwijkende maten in hoogte en breedte in overleg.
- Gewicht: 32/48 kg/m²

INSTALLATIE

- **MARGES:**
 - Vloer: +/- 13 mm
 - Plafond: +/- 13 mm
 - Verstelbare vloerplint waardoor verschillen in de hoogte makkelijk zijn op te vangen

- **VERBINDING:**

Alle elementen zijn verbonden met klemstijlen, waardoor de systeemwand makkelijk te monteren is en achteraf makkelijk te demonteren.

- **INTEGRATIE VAN ELEKTRICITEITS- EN DATAKABELS**

Geperforeerde klemstijlen bieden de mogelijkheid om bedrading op te nemen in de wand. Demontabele panelen maken de wand goed toegankelijk voor wijzigingen achteraf.

ONDERHOUD

Raadpleeg onze website voor schoonmaak- en onderhoudsinstructies.

LIVING OPTIONS

Maars biedt een breed scala aan opties die, afhankelijk van het wandtype, in ons wandstelsel geïntegreerd kunnen worden. Ventilatiestijlen, geluidspanelen, kasten, plankendragers, panelen met klimaatcontrole, dynamic light, multimedia, met stof beklede panelen, privacyglas of Maars Magnetics. Zie: www.maarsmagnetics.com. Bekijk de 'Living Options' brochure en www.maarslivingwalls.com voor meer informatie.

GELUID

Gewogen geluidsisolatie-index voldoet aan EN ISO 717-1

- Gesloten panelen, staal: Van Rw (C; Ctr)= 50 (-2 ; -6) dB
- Gesloten panelen, spaanplaat: Van Rw (C; Ctr)= 41 (-2 ; -6) dB naar Rw (C; Ctr)= 50 (-3 ; -8) dB
- Beglaasde panelen: Van Rw (C; Ctr)= 41 (-2 ; -5) dB naar Rw (C; Ctr)= 48 (-2 ; -6) dB
- Deur, gesloten: Van Rw (C; Ctr)= 31 (-2 ; -2) dB naar Rw (C; Ctr)= 37 (-1 ; -4) dB
- Deur, beglaasd: Rw (C; Ctr)= 39 (0 ; -2) dB

BRAND

Brandwerendheid voldoet aan EN 1363-2, EN 1364-1 en EN 1634-1.

- Gesloten: EI 120
- Beglaasd: EI 60
- Deur: EI 60

Omdat wij onszelf continu verbeteren, veranderen onze producten voortdurend. Kijk voor de meest recente details op: www.maarslivingwalls.com

Thinking of tomorrow

'I generate a wonderful space. I am sustainable. I am built from beautiful, natural products. I will be reused in the future. A strange thought. I feel good, because I am put together well.'

The welfare of people in any space is central to Maars. That includes public space. As such, Maars is constantly looking for sustainable and responsible solutions. New production techniques are not avoided, rather they are sought out and studied. Reducing, reusing and recycling has become deeply rooted within the philosophy of the company. Maars knows that things always can and always must be done better. For instance, we have made enormous progress with environmentally-friendly coatings, CO2-compensation and 5S, 'lean manufacturing'. Maars can also contribute to a higher BREEAM and LEED score. In order to be able to fully control our own quality, environmental and health & safety policy, Maars has set up an integrated operational management system within which all critical processes in terms of quality, environment and safety are assured.

This approach has won broad recognition and Maars is ISO-9001, ISO-14001 and FSC certified. By scrutinising the entire production process, we are now able to produce more efficiently and continue to reduce energy consumption. A notable example is the fact that our process water is purified 'in house'.

Reduce
Reuse
Recycle

Living
alls



Newtonweg 1, PO Box 1000
3840 BA Harderwijk
The Netherlands

T +31 (0)341 46 52 11
F +31 (0)341 46 53 46
info@maars.nl
www.maarslivingwalls.com

